



Anderson Instrument Co., Inc.

156 Auriesville Road  
Fultonville, NY 12072

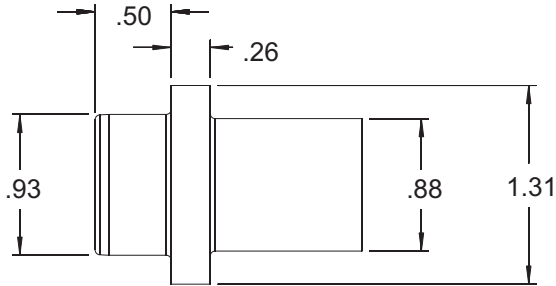
Phone: 518-922-5315 or 800-833-0081

Fax: 518-922-8997 or 800-726-6733

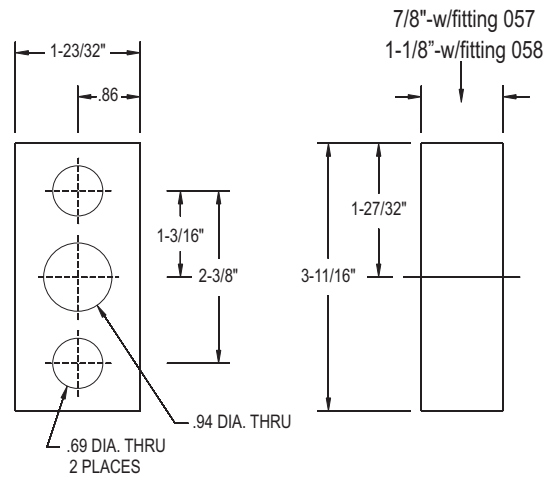
# Technical Bulletin

## High Pressure Fittings

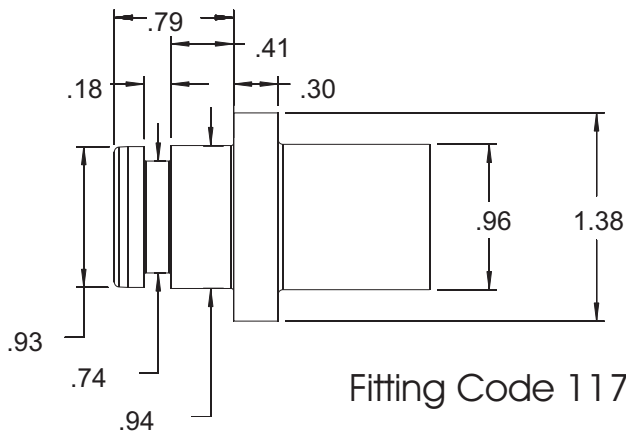
### Common High Pressure Fitting



Fitting Code 056 Homogenizer (less flange),  
057 Homogenizer (7/8" flange),  
058 Homogenizer (1-1/8" flange)

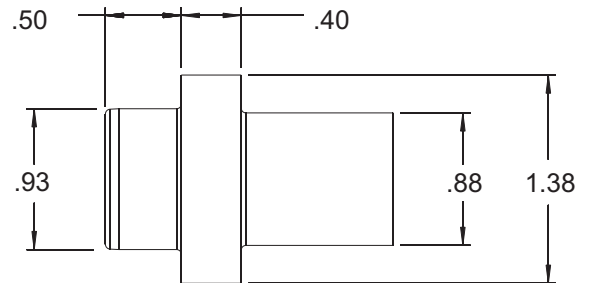


### APV/Rannie



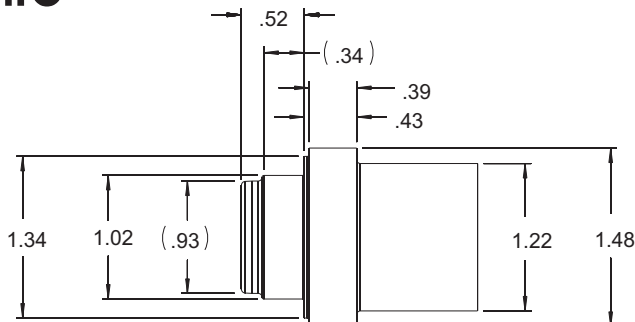
Fitting Code 117

### Tetra Pak & Bran & Luebbe



Fitting Code 118

### Niro



Fitting Code 157

All dimensions in inches